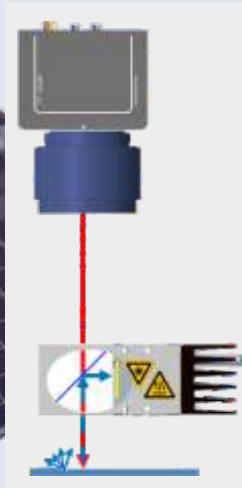
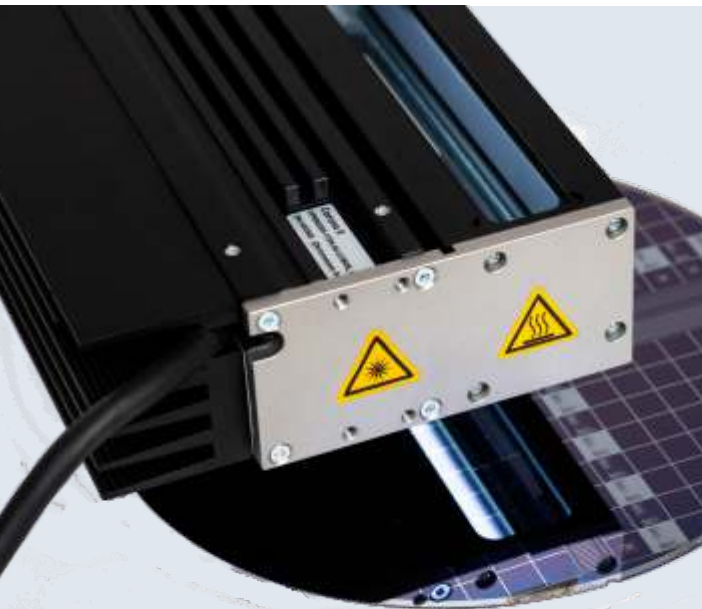




**chromasens**  
Imaging for Professionals

# Corona II Coaxial Module

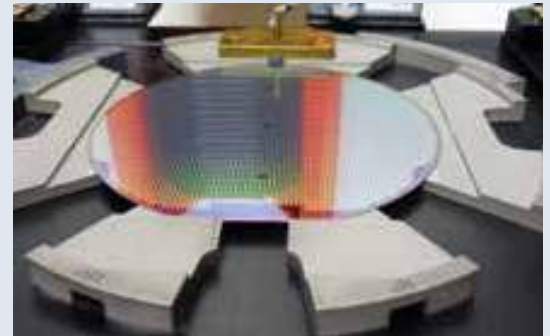


### Application:

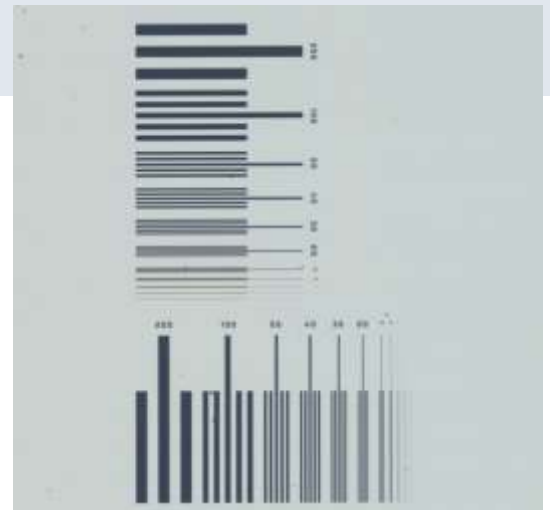
Wafer inspection

Type: Bright field version

Approach: Perpendicular camera view



Sample: Wafer inspection



Homogeneous illumination on specular surfaces.

## Corona II Coaxial Lighting

Chromasens introduces two coaxial modules extending the Corona II family:

### Highlights

- Available for Corona modules up to 680 mm
- High quality anti-reflection coating and thin glasses to reduce ghost images.
- Option:  
Protection glasses for dusty environments.

### Setups

Coaxial light illuminates the objects in viewing direction of the camera. Two coaxial light modules are available for selecting the most suitable version for your application:

- Bright field illumination
- Dark field illumination

### Coaxial modules for dark field illumination

Getting high light intensity into deep object grooves:

Typical examples are automotive plug connectors with increasing pin counts and complexity. Many of them are equipped with very deep connector housings. With the new Chromasens coaxial module for dark field illumination, it is now possible to bring directed light into the depth of the component, free of shadows without affecting the camera perspective.

Same part of the wafer illuminated with two different types of illumination:

Dark field illumination



Dust particles on the wafer are visible.

Coaxial illumination



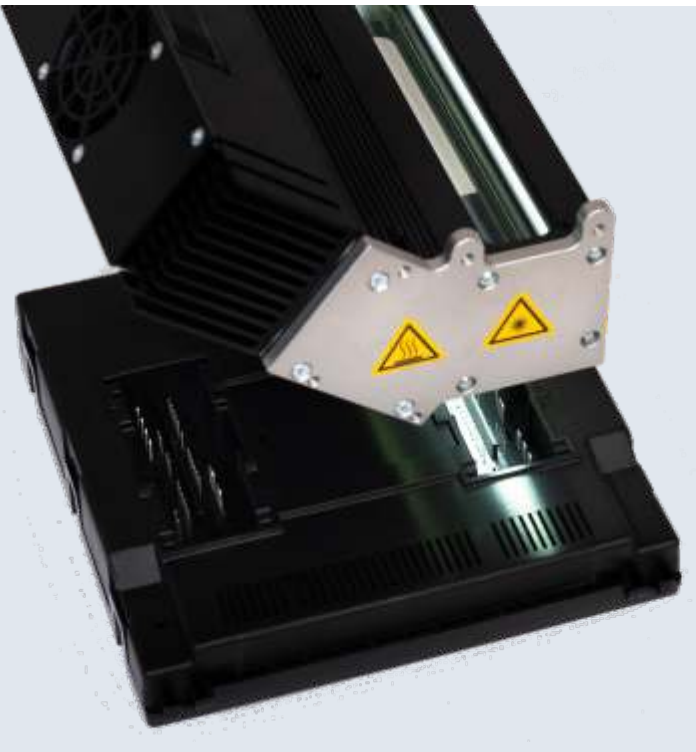
Objects on the wafer are visible.

### Coaxial modules for bright field illumination

Diffuse light for flat objects:

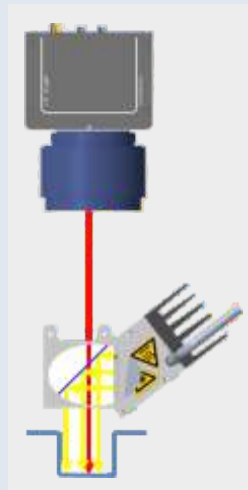
Bright field lighting systems are the first choice for applications with vertical viewing angle and with telecentric lenses. The coaxial bright field module from Chromasens is perfect for such applications and is available with lengths of up to 680 mm. Optional protection glasses are offered for use in dusty environments. The performance values of the Corona modules are fully maintained.



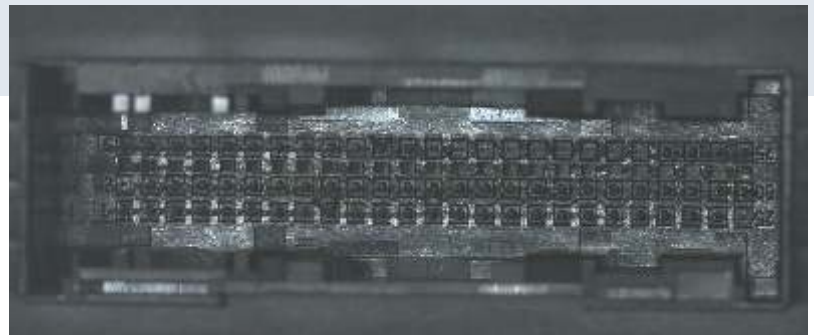


**Application:**

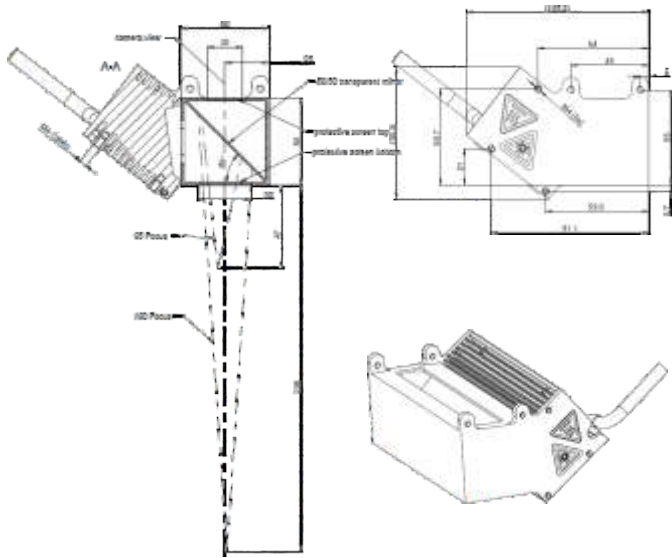
3D inspection of connectors  
Type: Dark field version  
Approach: Getting light into deep objects



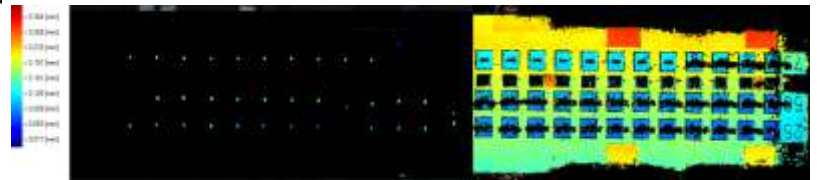
Raw image of the 3D camera



**Dark field version**



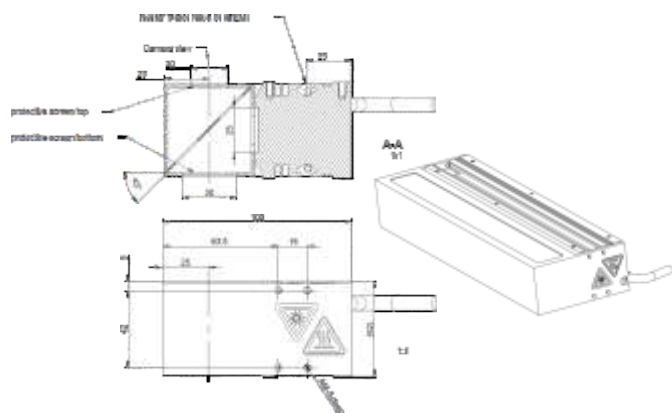
3D image of the pin tips and ground surface as false colour image



Pin tips

Ground surface

**Bright field version**



Specifications	Bright field version	Dark field version
<b>Length:</b>	up to 680 mm (in steps of 170 mm)	
<b>LED colours:</b>	Red, Green, Blue Cool White (5500 Kelvin), Warm white (3500 Kelvin)	
<b>Focusing options</b>		B-Focus 95 mm C-Focus 190 mm
<b>Cooling options</b>	Passive cooling (10x50 mm or 40x50 mm) Fan cooling Water cooling	
<b>Protection screens</b>	No protection screen One screen (top side/camera) One screen (bottom/object)* Two protection screens* (* only on request)	CXN CXT CXB CXS