



## **CEI Machine Vision Camera Enclosure IP67 38mm Series Round**

As a leading innovator in the Machine Vision Industry, CEI is proud to introduce our new line of Machine Vision Camera Enclosures, Cables, and Accessories for demanding vision applications.

### **IP67 38mm Series Camera Round Enclosure Key Features**

- CEI Integrated Connector Design ( no cord grips )
- IP67 protection
- Universal design for popular 29mm camera models
- Excellent heat dissipation
- Enclosure tailored for specific Camera & Optics
- Adjustable Mount with 4 tapped holes included
- High quality (easy to replace) windows by Midwest Optical
- Lightweight low-profile design
- Type 2 anodizing
- Options: Mounts, Air Curtains, Windows & Filters, Cables
- Options: Custom Sizes, lengths, and focusing solutions.
- Competitive pricing
- Made in USA, Patent Pending



### **Enclosure Specs (See Appendix "A" for part numbers)**

**Camera Size:** 29mm square mount machine vision

**Optics:** Supports a wide range of C-Mount optics

**Window:** Midwest Optical 2mm AR coated

Borofloat glass or Acrylic

**Lens Covers:** Available in 38mm, 44mm, 55mm, 60mm diameters

Lengths in 10mm increments

**Interface Connectors:** M12 X-Code Ethernet Female

**Optional Interfaces:** M12 A-Code I/O Male, Cord Grip

**Mounting:** Qty. 2, M6 and Qty. 2 1/4-20 UNC tapped holes with

19.05mm (3/4") hole spacing,

Adjustable ring mount

**Sealing:** IP67

**Material:** 6061 Aluminum

**Coating:** Type 2 anodized

**Overall Length (L):** Varies, See Appendix "A"

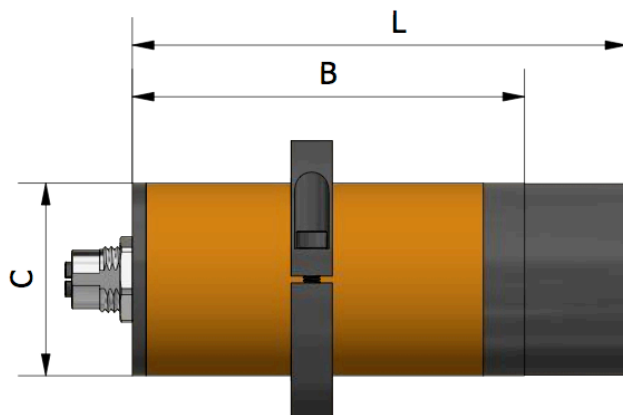
**Body Length (B):** 90 mm (incl. interface conn.)

**Height / Width (C):** 44.5 mm round (body)

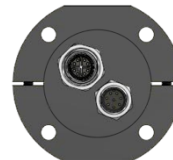
**Mount diameter:** 69 mm

**Window Diameter:** 42 mm (48mm with 44mm cover)

**Weight:** 370g (typical weight fully assembled  
W/ Camera)



Contact CEI for Application and Configuration Details.



## Appendix “A” CEI IP67 38mm Series Camera Round Enclosure Part numbers:

PART NUMBER	ENCLOSURE BODY, END CAP, AND ROUND MOUNT
EN-38R-A0-82	38mm x 82mm long enclosure, M12 x-code, no I/O, Fits up to 29mm x 29mm cameras
EN-38R-A1-82	38mm x 82mm long enclosure, M12 x-code, with I/O, Fits up to 29mm x 29mm cameras
EN-38R-E0-82	38mm x 82mm long enclosure, Cord Grip .19 - .25 diameter cable fits RJ45, no I/O
EN-38R-A0-98	38mm x 98mm long enclosure, M12 x-code, no I/O, Fits up to 29mm x 29mm cameras
EN-38R-A1-98	38mm x 98mm long enclosure, M12 x-code, with I/O, Fits up to 29mm x 29mm cameras
EN-38R-E0-82	38mm x 82mm long enclosure, Cord Grip .19 - .25 diameter cable fits RJ45, no I/O

PART NUMBER	FRONT BEZEL DIAMETER TO MATCH LENS CAP
EN-38R-FB38-A	Front bezel for 38mm round enclosure, for 38mm diameter lens caps, Type A style cameras
EN-38R-FB38-B	Front bezel for 38mm round enclosure, for 38mm diameter lens caps, Type B style cameras
EN-38R-FB44-A	Front bezel for 38mm round enclosure, for 44mm diameter lens caps, Type A style cameras
EN-38R-FB44-B	Front bezel for 38mm round enclosure, for 44mm diameter lens caps, Type B style cameras
EN-38R-FB55-A	Front bezel for 38mm round enclosure, for 55mm diameter lens caps, Type A style cameras
EN-38R-FB55-B	Front bezel for 38mm round enclosure, for 55mm diameter lens caps, Type B style Cameras
EN-38R-FB60-A	Front bezel for 38mm round enclosure, for 60mm diameter lens caps, Type A style cameras
EN-38R-FB60-B	Front bezel for 38mm round enclosure, for 60mm diameter lens caps, Type B style cameras

PART NUMBER	LENS CAPS ONLY 38MM DIAMETER - ENCLOSURE AND FRONT BEZEL REQUIRED
EN-LC38-30	Lens cover for 38mm bezel, 30mm length, borosilicate window
EN-LC38-40	Lens cover for 38mm bezel, 40mm length, borosilicate window
EN-LC38-50	Lens cover for 38mm bezel, 50mm length, borosilicate window
EN-LC38-60	Lens cover for 38mm bezel, 60mm length, borosilicate window
EN-LC38-70	Lens cover for 38mm bezel, 70mm length, borosilicate window
EN-LC38-80	Lens cover for 38mm bezel, 80mm length, borosilicate window

PART NUMBER	LENS CAPS ONLY 44MM DIAMETER - ENCLOSURE AND FRONT BEZEL REQUIRED
EN-LC44-30	Lens cover for 44mm bezel, 30mm length, borosilicate window
EN-LC44-40	Lens cover for 44mm bezel, 40mm length, borosilicate window
EN-LC44-50	Lens cover for 44mm bezel, 50mm length, borosilicate window
EN-LC44-60	Lens cover for 44mm bezel, 60mm length, borosilicate window
EN-LC44-70	Lens cover for 44mm bezel, 70mm length, borosilicate window
EN-LC44-75	Lens cover for 44mm bezel, 75mm length, borosilicate window
EN-LC44-80	Lens cover for 44mm bezel, 80mm length, borosilicate window
EN-LC44-90	Lens cover for 44mm bezel, 90mm length, borosilicate window
EN-LC44-100	Lens cover for 44mm bezel, 100mm length, borosilicate window
EN-LC44-110	Lens cover for 44mm bezel, 110mm length, borosilicate window
EN-LC44-140	Lens cover for 44mm bezel, 140mm length, borosilicate window

## Appendix “A” CEI IP67 38mm Series Camera Round Enclosure Part numbers (Continued):

PART NUMBER	LENS CAP ONLY 55MM DIAMETER W/ BOROSILICATE GLASS WINDOW - ENCLOSURE AND FRONT BEZEL REQUIRED
EN-LC55-30	Lens cover for 55mm bezel, 30mm length, borosilicate window
EN-LC55-40	Lens cover for 55mm bezel, 40mm length, borosilicate window
EN-LC55-50	Lens cover for 55mm bezel, 50mm length, borosilicate window
EN-LC55-60	Lens cover for 55mm bezel, 60mm length, borosilicate window
EN-LC55-70	Lens cover for 55mm bezel, 70mm length, borosilicate window
EN-LC55-80	Lens cover for 55mm bezel, 80mm length, borosilicate window

PART NUMBER	LENS CAP ONLY 55MM DIAMETER W/ ACRYLIC WINDOW - ENCLOSURE AND FRONT BEZEL REQUIRED
EN-LC55-30A	Lens cover for 55mm bezel, 30mm length, acrylic window
EN-LC55-40A	Lens cover for 55mm bezel, 40mm length, acrylic window
EN-LC55-50A	Lens cover for 55mm bezel, 50mm length, acrylic window
EN-LC55-60A	Lens cover for 55mm bezel, 60mm length, acrylic window
EN-LC55-70A	Lens cover for 55mm bezel, 70mm length, acrylic window
EN-LC55-80A	Lens cover for 55mm bezel, 80mm length, acrylic window

PART NUMBER	LENS CAP ONLY 60MM DIAMETER - ENCLOSURE AND FRONT BEZEL REQUIRED
EN-LC60-30	Lens cover for 60mm bezel, 30mm length, borosilicate window
EN-LC60-40	Lens cover for 60mm bezel, 40mm length, borosilicate window
EN-LC60-50	Lens cover for 60mm bezel, 50mm length, borosilicate window
EN-LC60-60	Lens cover for 60mm bezel, 60mm length, borosilicate window
EN-LC60-70	Lens cover for 60mm bezel, 70mm length, borosilicate window
EN-LC60-80	Lens cover for 60mm bezel, 80mm length, borosilicate window
EN-LC60-90	Lens cover for 60mm bezel, 90mm length, borosilicate window

PART NUMBER	LIGHT BRACKET FOR 38MM ROUND ENCLOSURES ( W/ 38MM LENS COVER ONLY)
EN-LB38R-38-A	Light bracket for 38mm round enclosure with 38mm lens cap, small light mounting plate
EN-LB38R-38-B	Light bracket for 38mm round enclosure with 38mm lens cap, large light mounting plate
EN-LB38R-38-C	Swivel Light bracket for 38mm round enclosure with 38mm lens cap, small light mounting plate

PART NUMBER	CUSTOM MOUNTS
EN-M4	4 AXIS MOUNT
EN-38R-MR	Mount ring for 38mm round enclosure



Call Components Express, Inc. at 630-257-0605 for Ordering Information.